



STANDARD WATER TROUGHS

SPECIFICATION SHEET

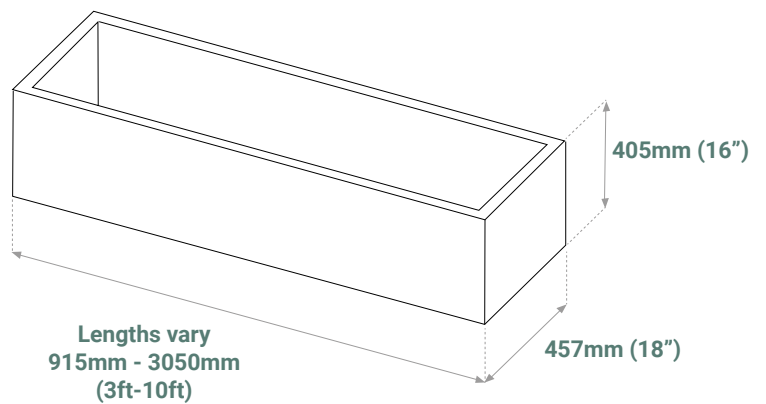
Standard water drinking trough, suitable for most livestock and horses 457mm (18") wide and 405mm (16") deep.

Suitable for all livestock, our best selling water trough is manufactured from 1.6mm flat steel, sheet folded, welded and then fully galvanised to BSEN ISO 1461. It features a rolled top for added strength and stability and comes with a drain plug and bung as standard.

Please note - Service box for housing the ball valve assembly is available separately. Service box can be installed centrally or end fitted. Three wrap round brackets provide a strong fitting.



**Concrete supports sold separately*



Key Benefits & Features

- Hot dip galvanised after manufacture for long life
- 30mm roll top trough for added strength & stability
- Strong roll top lip for added strength
- Moveable ballvalve housing (service box) with three securing brackets
- Extensive range stocked from 0.5ltr to 2742ltrs
- WRAS compliant

Length	Capacity	Weight	Brace
915mm (3ft)	163ltr (36 gallons)	24.80kg	No horizontal cross brace
1220mm (4ft)	218ltr (48 gallons)	30.95kg	No horizontal cross brace
1525mm (5ft)	272ltr (60 gallons)	37.08kg	No horizontal cross brace
1830mm (6ft)	327ltr (72 gallons)	43.76kg	One horizontal cross brace
2440mm (8ft)	436ltr (96 gallons)	56.82kg	Two horizontal cross braces
3050mm (10ft)	545ltr (120 gallons)	68.90kg	Two horizontal cross braces

