



NEW



AG-fit[®]

Modular Cattle Housing Solution

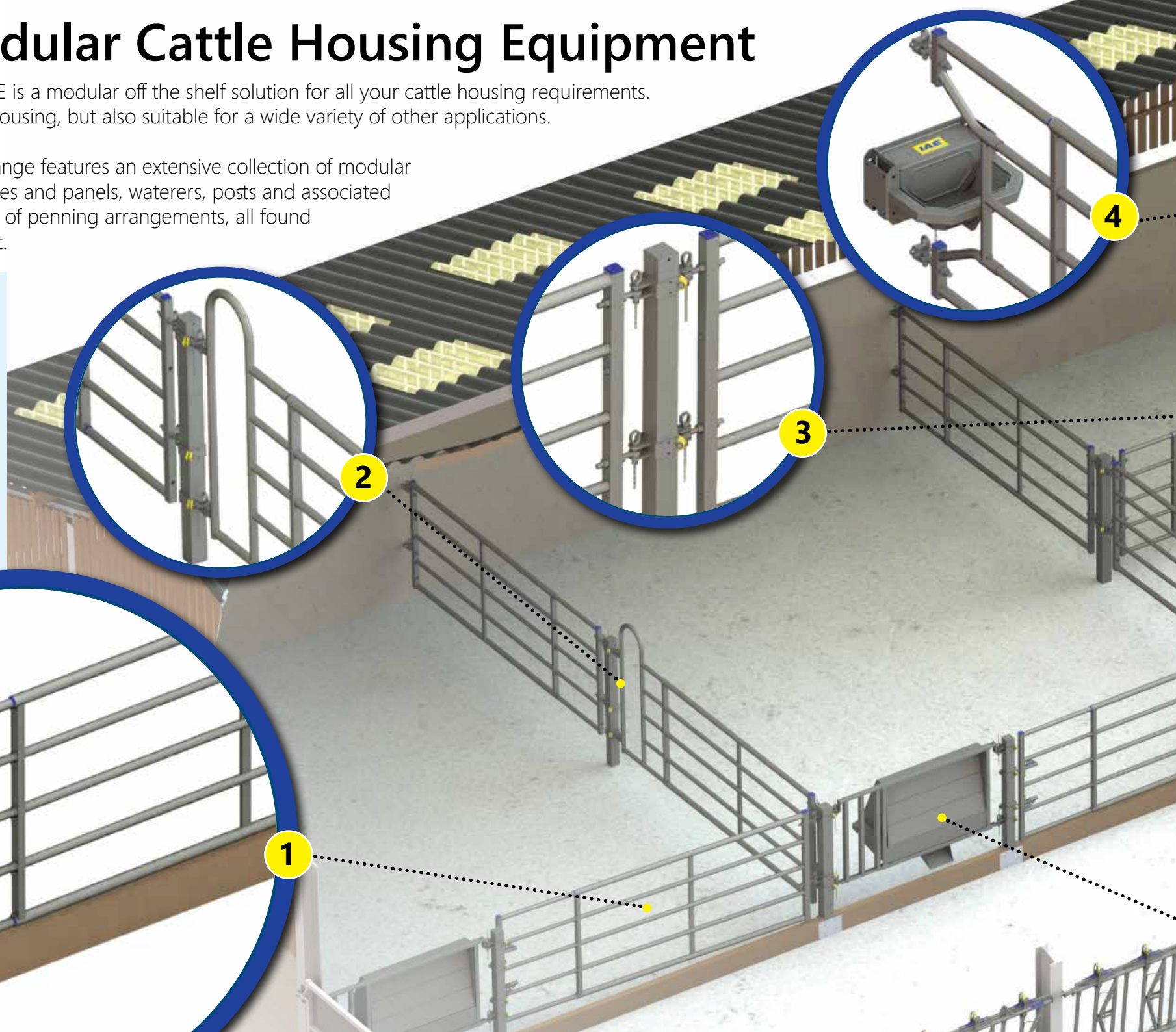


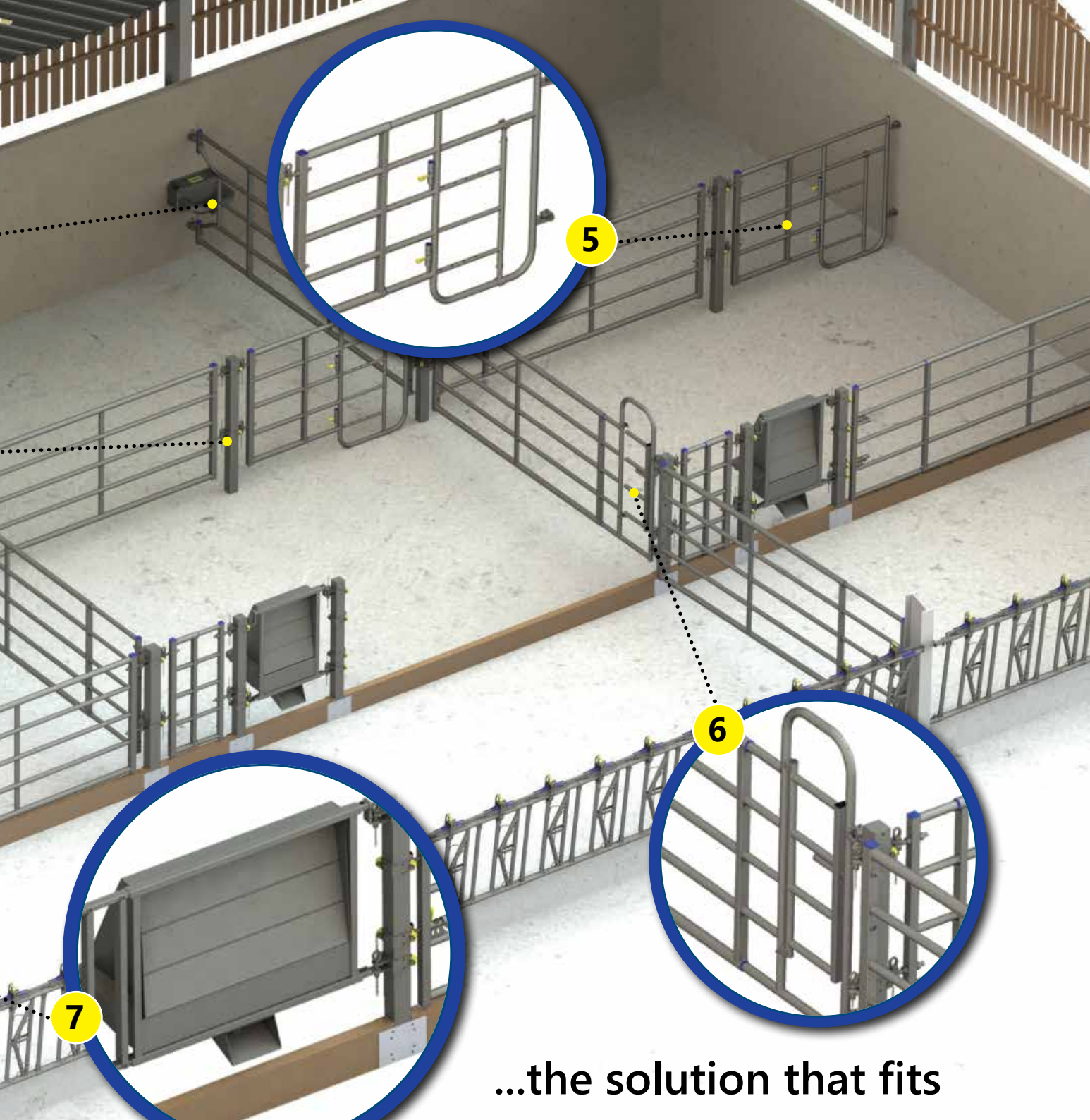
AG-fit[®] Modular Cattle Housing Equipment

The new AG-fit range from IAE is a modular off the shelf solution for all your cattle housing requirements. Primarily designed for loose housing, but also suitable for a wide variety of other applications.

The easily assembled AG-fit range features an extensive collection of modular 5 rail two-part extendable gates and panels, waterers, posts and associated brackets to create a multitude of penning arrangements, all found at your local IAE AG-fit stockist.

- Off the Shelf
- Easily Assembled
- Quickly Sourced
- Purchased Off Plan
- Flexible and Reusable
- Heavy Duty Construction





- 1** AG-fit 5 rail gates are an innovative high specification yard gate that feature 2 x padlockable spring bolts, chain hooks and 305mm rise built in as standard.
- 2** Squeeze Gap Panel allows passage between pens holding small animals. See pg 8.
- 3** Clamp on Post brackets make for easy, off the shelf gate and panel mounting with no drilling required. A wide variety of brackets are available to suit all needs.
- 4** A selection of panel ends to suit water bowls, Universal Drinkers (pictured) or water troughs in shared pens are available. See pg 10-11.
- 5** Calf creep insert panel is adjustable for width, allowing smaller animals access to designated pens.
- 6** Passage Gate Panel allows passage between pens holding small animals. See pg 8.
- 7** The VisorDrink® is an all-in-one quick empty trough that is designed for easy drinking access but also to preserve water quality by shielding from blown straw and muck.

Water is easily accessed by nudging the tough but light hinged visor and the sturdy body prevents access from the bedded area with no additional shroud or cover required.

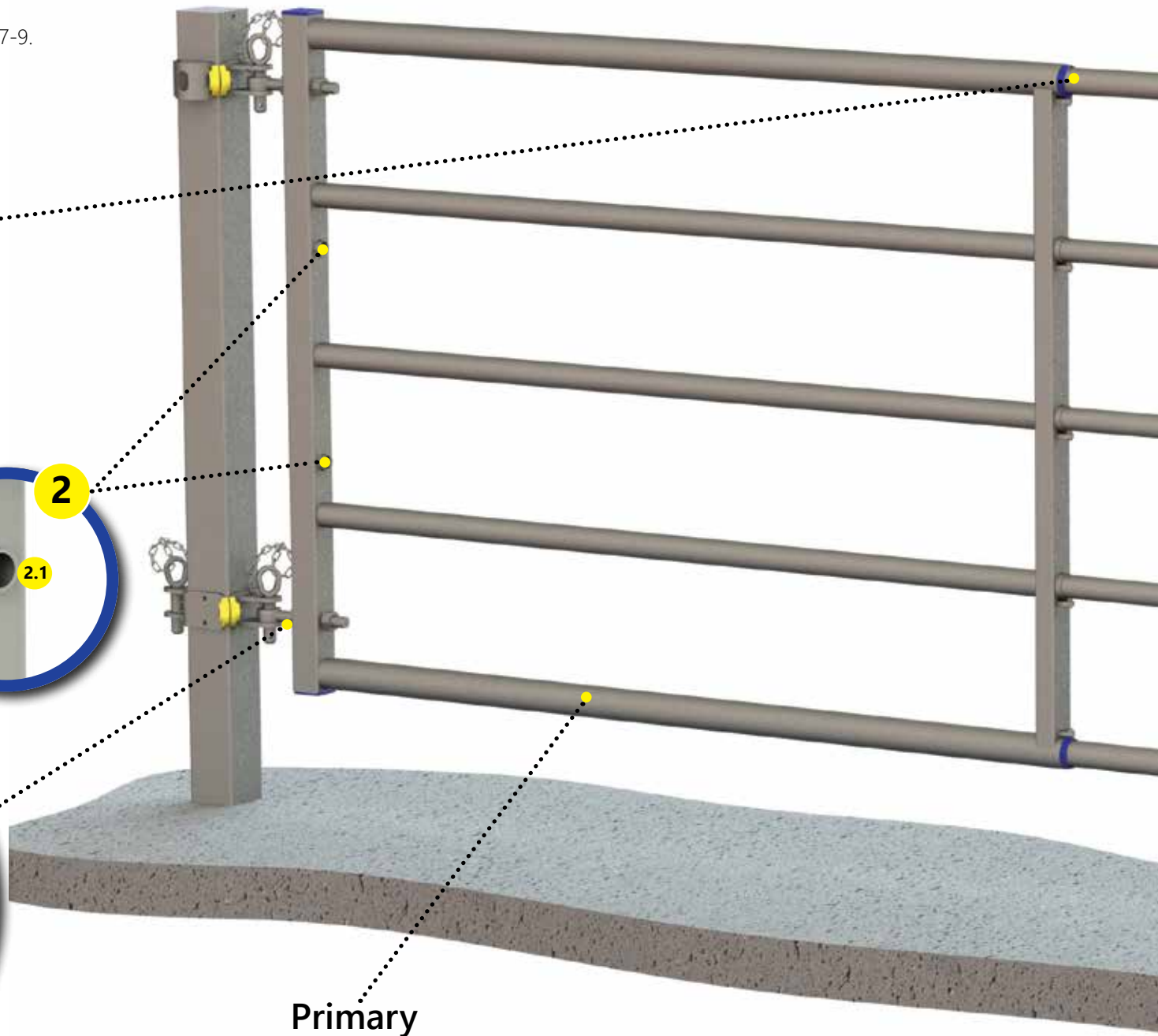
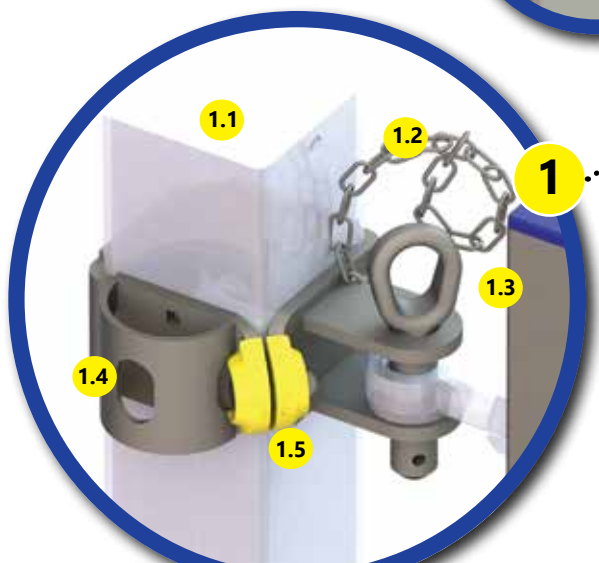
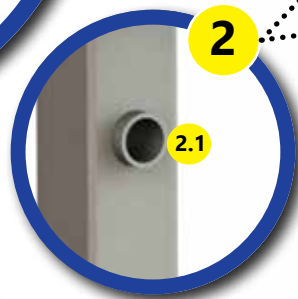
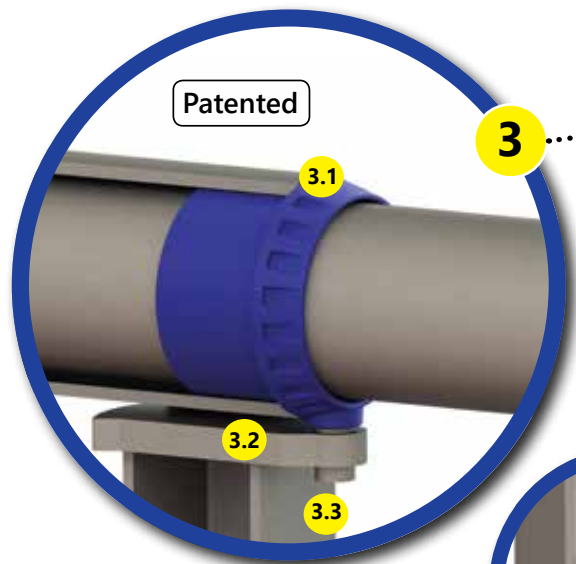
A large diameter quick empty valve enables quick drainage and cleaning, and the high flow float valve ensures a ready supply of fresh water. Telescopic mounting to post brackets fits a variety of gaps.

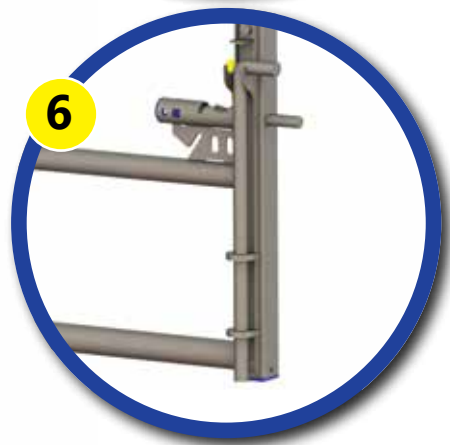
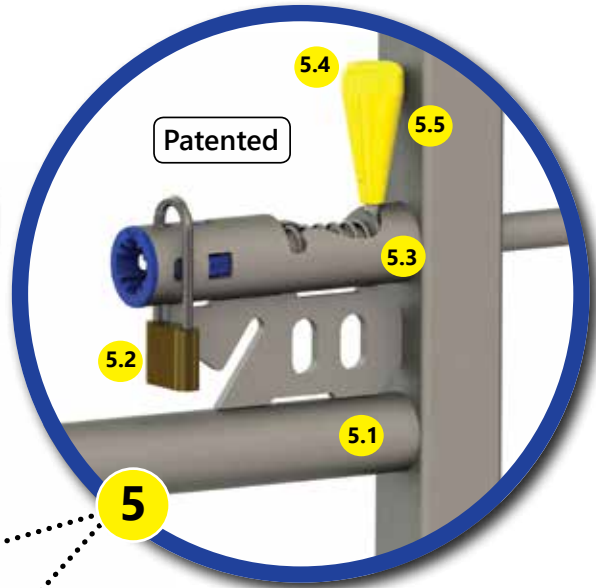


...the solution that fits

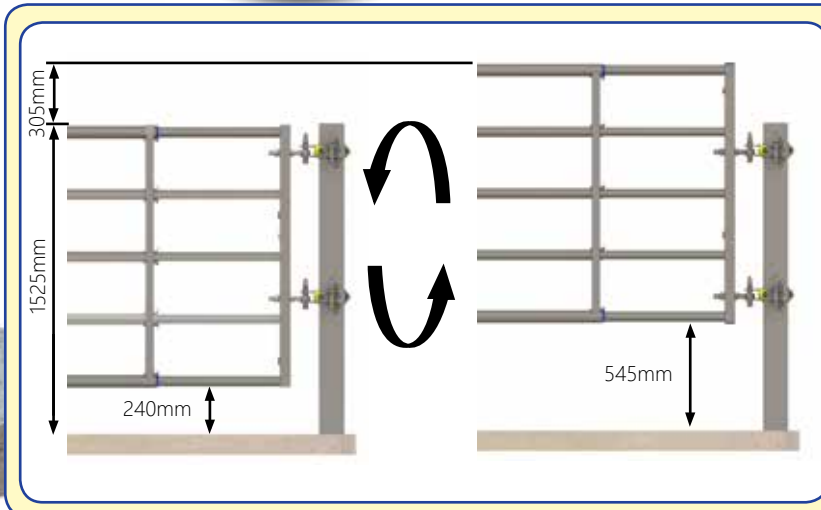
The AG-fit gate comprises of two parts, the Primary and the Insert, which assemble telescopically to create the desired length gate or panel. They are not designed to be variable length when in use.

A variety of different length Primary and Insert panels are combined to create the gate length of choice, see pg 6-7. A variety of different panel ends are also available, see pg 7-9.





- 1** 1.1 Welded post caps.
1.2 Chain prevents hinge pin loss.
1.3 Specially designed forged hinge pin.
1.4 Multiple hang/slam stile post bracket options.
1.5 Animal friendly polymer bracket caps.
- 2** 2.1 Fully welded sleeve stiles. Compatible with existing IAE hang post (25mm hooks). Four sleeves per stile allows 305mm rise. See below.
- 3** 3.1 Polymer tube sleeve (top and bottom rails) smooth rail transition.
3.2 Inbuilt thread locking system.
3.3 Patented low profile tube locking.
- 4** Chain lashing (to adjacent gate) capability on every gate slam stile end (x2). Chain not included.
- 5** 5.1 Twin spring bolt feature on every gate.
5.2 Spring bolts are padlockable (padlock not supplied).
5.3 Spring bolts can be locked in open position.
5.4 Easy to grab high visibility polymer handle.
5.5 Animal friendly neutral position.
- 6** Heavy duty drop bolt easily fitted to every gate end without the need for drilling (drop bolt not included).



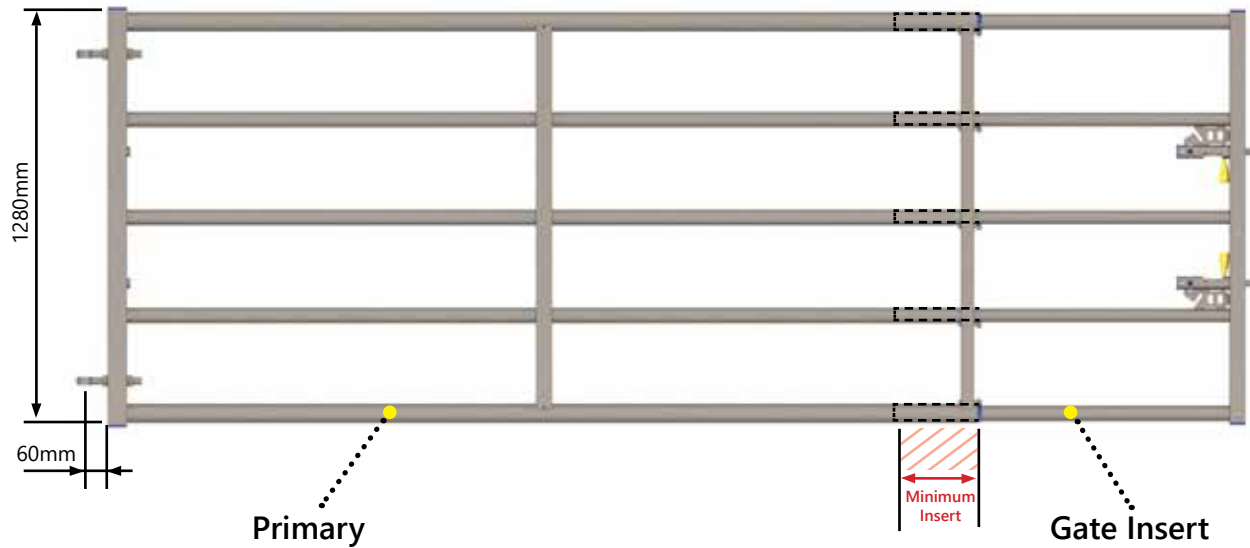
Unique Rise Feature

Gates and Barriers designed to hang at 1525mm as standard.

Gates and Barriers can be flipped or lifted for 305mm rise without additional post hang positions or moving brackets to accommodate build up of bedding.

AG-5 Gates

Gates of 550mm* - 6000mm are created by combining various Primary and Gate inserts.



AG-5 Gate Recommended Combinations

Combined Gate Length	To Suit Nominal Opening**	Primary	+	Gate Insert
550 - 999	690 - 1249	1000112	+	F002 2004 01*
1000 - 1339	1250 - 1589	F002 2001 01	+	F002 2004 01
1340 - 1644	1590 - 1894	F002 2001 01	+	F002 2004 02
1645 - 1999	1895 - 2249	F002 2001 01	+	F002 2004 03
2000 - 2999	2250 - 3249	F002 2001 02	+	F002 2004 03
3000 - 3999	3250 - 4249	F002 2001 03	+	F002 2004 03
4000 - 4999	4250 - 5249	F002 2001 04	+	F002 2004 03
5000 - 6000	5250 - 6249	F002 2001 05	+	F002 2004 03

* Insert may require cutting down to achieve length.

**Based on post and bracket hanging arrangement.

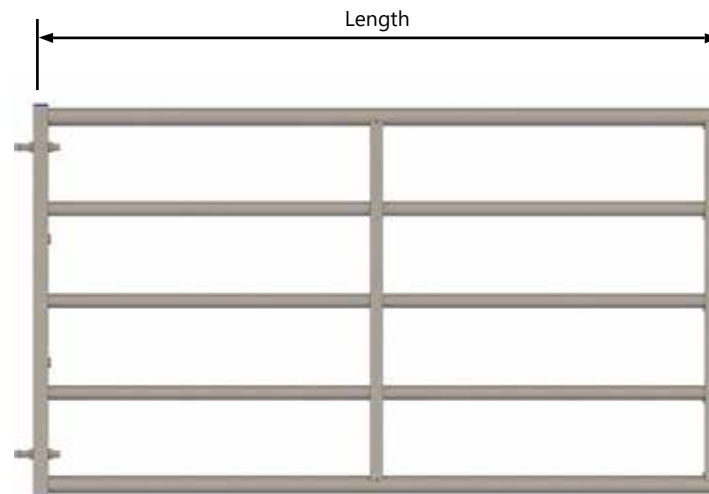
IMPORTANT:

Insert requires minimum 305mm insertion into Primary.

AG-5 Primary

Primary Variants

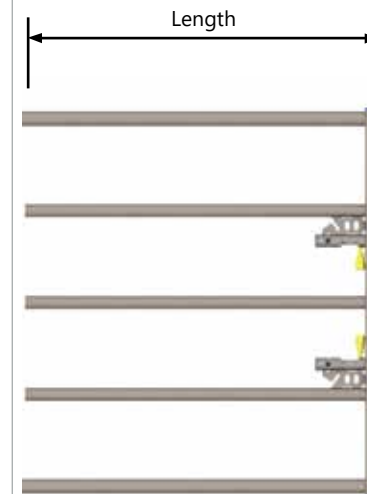
Length	Primary	No. Infillers	Pack Size
310	1000112	1	2
718	F002 2001 01	1	4
1718	F002 2001 02	2	8
2718	F002 2001 03	2	8
3718	F002 2001 04	3	8
4718	F002 2001 05	3	2



Specification

Hang Stile 60 x 60mm
 Vertical End Filler 60 x 40mm
 Top/Bottom Rails ø60.3mm
 Intermediate Rails ø48.3mm
 Includes fittings to attach to Insert, plus eyebolts and plastic caps

AG-5 Gate Insert



Gate Insert Variants

Length	E _{max}	Gate Insert	Pack Size
920	615	F002 2004 01	2
1200	895	F002 2004 02	2
1585	1280	F002 2004 03	8

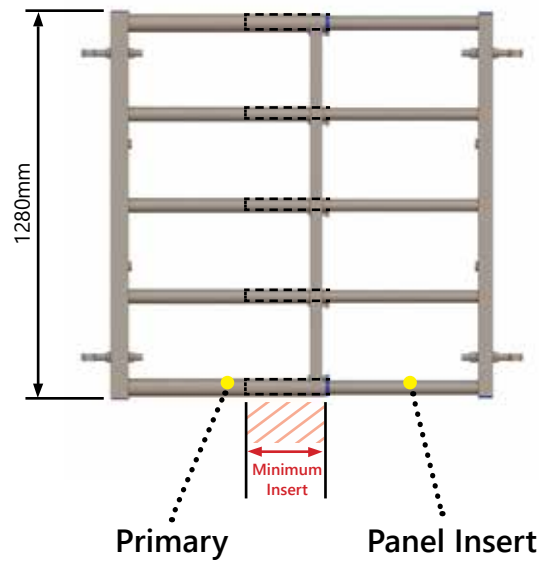
Specification

Hang Stile 50 x 50mm
 Vertical End Filler ø48.3mm
 Intermediate Rails ø42.4mm
 Includes fittings for springbolts and plastic caps



AG-5 Panels

Panels of 400mm* - 6000mm are created by combining various Primary and Panel inserts.



AG-5 Panel Recommended Combinations

Combined Gate Length	To Suit Nominal Opening**	Primary	+	Panel Insert
550 - 999	690 - 1249	1000112	+	F002 2003 01*
1000 - 1339	1250 - 1589	F002 2001 01	+	F002 2003 01
1340 - 1644	1590 - 1894	F002 2001 01	+	F002 2003 02
1645 - 1999	1895 - 2249	F002 2001 01	+	F002 2003 03
2000 - 2999	2250 - 3249	F002 2001 02	+	F002 2003 03
3000 - 3999	3250 - 4249	F002 2001 03	+	F002 2003 03
4000 - 4999	4250 - 5249	F002 2001 04	+	F002 2003 03
5000 - 6000	5250 - 6249	F002 2001 05	+	F002 2003 03

* Insert may require cutting down to achieve length.

**Based on post and bracket hanging arrangement.

AG-5 Panel Insert



Panel Insert Variants

Length	Emax	Panel Insert	Pack Size
920	615	F002 2003 01	2
1200	895	F002 2003 02	2
1585	1280	F002 2003 03	8

Specification

Hang Stile 50 x 50mm
 Vertical End Filler ø48.3mm
 Intermediate Rails ø42.1mm
 Includes eyebolts and plastic caps

IMPORTANT:

Emin – the minimum length of Insert that can protrude from the Primary. Add to Primary Length to get the shortest combined length.

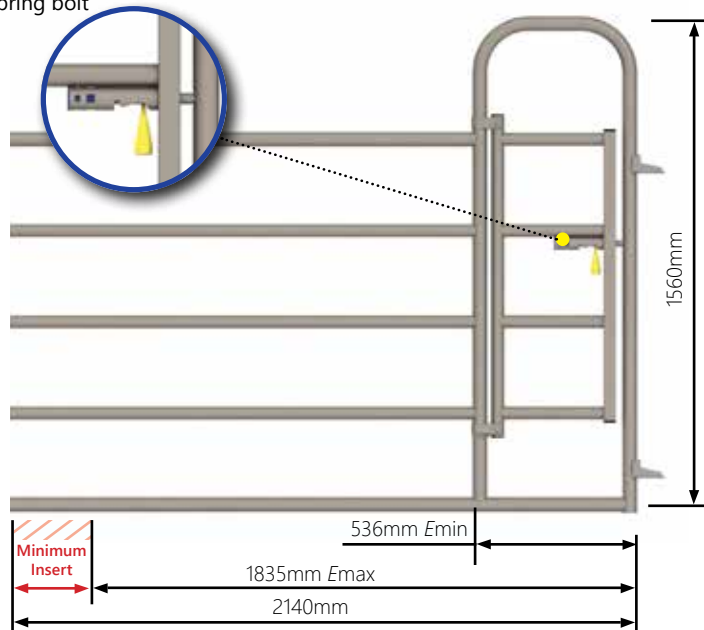
Emax - the maximum length of Insert that can protrude from the Primary. Add to Primary Length to get the longest combined length.



AG-5 Passage Gate Insert

Panels featuring a passage gate can be created where access between pens holding small animals is required by combining the Passage Gate Insert with a Primary of the required length.

Spring bolt



AG-5 Passage Gate Recommended Combinations

Combined Panel Length	To Suit Nominal Opening**	Primary	+	Passage Gate Insert
846 - 2145	1111 - 2410	1000112	+	F002 2006 01*
1254 - 2553	1519 - 2818	F002 2001 01	+	F002 2006 01
2254 - 3553	2519 - 3818	F002 2001 02	+	F002 2006 01
3254 - 4553	3519 - 4818	F002 2001 03	+	F002 2006 01
4254 - 5553	4519 - 5818	F002 2001 04	+	F002 2006 01
5254 - 6553	5519 - 6818	F002 2001 05	+	F002 2006 01

* Insert may require cutting down to achieve length.

**Based on post and bracket hanging arrangement.

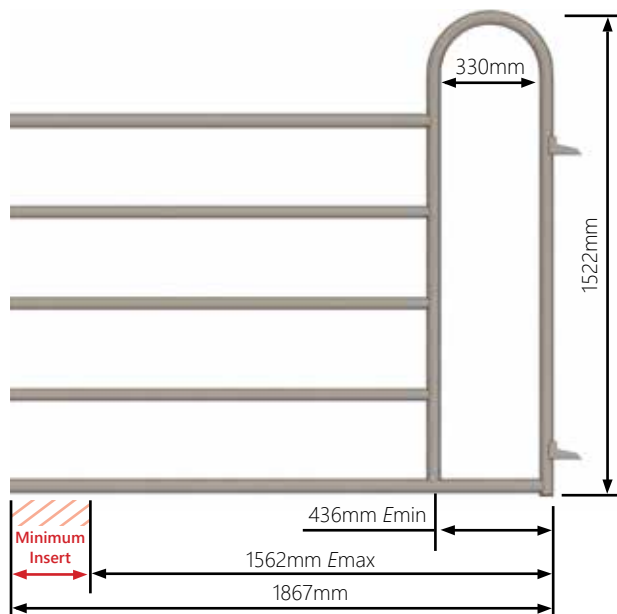
Passage Gate Insert	Pack Size
F002 2006 01	2

Specification

Passage Loop	ø48.3mm
Top/Bottom Rails	ø48.3mm
Intermediate Rails	ø42.4mm

AG-5 Squeeze Gap Insert

Panels featuring a squeeze gap can be created where passage between pens holding larger animals is required by combining the Squeeze Gap Insert with the desired Primary.



AG-5 Squeeze Gap Recommended Combinations

Combined Panel Length	To Suit Nominal Opening**	Primary	+	Squeeze Gap Insert
746 - 1872	1011 - 2137	1000112	+	F002 2007 02*
1154 - 2280	1419 - 2545	F002 2001 01	+	F002 2007 02
2154 - 3280	2419 - 3545	F002 2001 02	+	F002 2007 02
3154 - 4280	3419 - 4545	F002 2001 03	+	F002 2007 02
4154 - 5280	4419 - 5545	F002 2001 04	+	F002 2007 02
5154 - 6280	5419 - 6545	F002 2001 05	+	F002 2007 02

* Insert may require cutting down to achieve length.

**Based on post and bracket hanging arrangement.

Squeeze Gap Insert	Pack Size
F002 2007 02	2

Specification

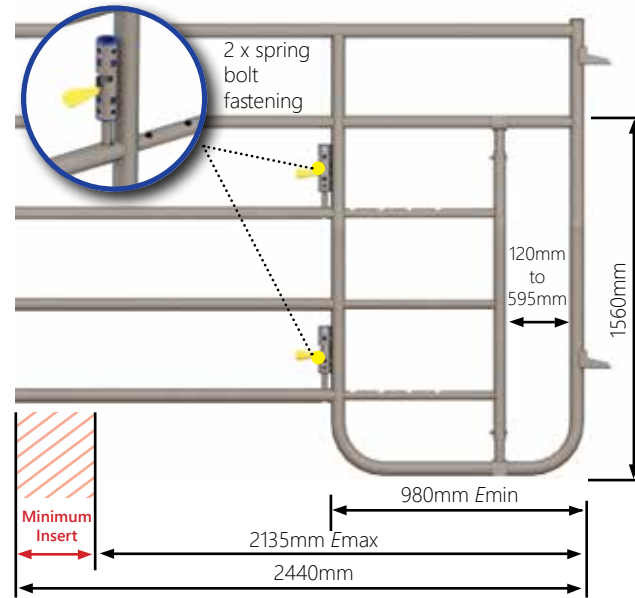
Passage Loop	ø48.3mm
Top/Bottom Rails	ø48.3mm
Intermediate Rails	ø42.4mm





AG-5 Calf Creep Insert

A Calf Creep Insert can be added to Panels where passage between pens holding small animals is required, allowing smaller animals to transition, but preventing larger animals from doing so. The creep aperture can be adjusted from 120mm to 595mm. Combine the Calf Creep Insert with a Primary to create this Calf Creep Panel.



AG-5 Calf Creep Recommended Combinations

Combined Panel Length	To Suit Nominal Opening**	Primary	+	Calf Creep Insert
1290 - 2445	1555 - 2710	1000112	+	F002 2005 01*
1698 - 2853	1963 - 3118	F002 2001 01	+	F002 2005 01
2698 - 3853	2963 - 4118	F002 2001 02	+	F002 2005 01
3698 - 4853	3963 - 5118	F002 2001 03	+	F002 2005 01
4698 - 5953	4963 - 6118	F002 2001 04	+	F002 2005 01
5698 - 6853	5963 - 7118	F002 2001 05	+	F002 2005 01

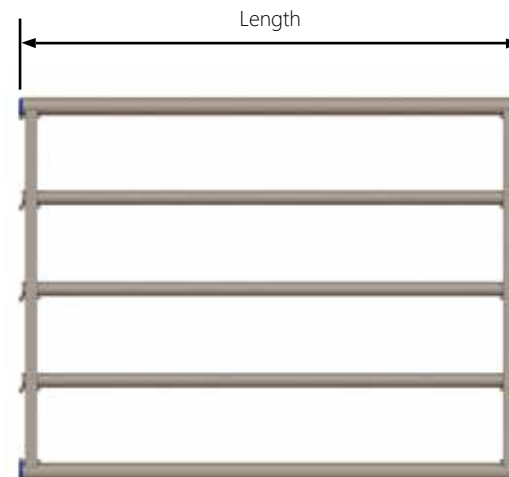
* Insert may require cutting down to achieve length.

**Based on post and bracket hanging arrangement.

Calf Creep Insert	Pack Size	Specification
F002 2005 01	2	Passage Loop \varnothing 48.3mm Top/Bottom Rails \varnothing 48.3mm Intermediate Rails \varnothing 42.4mm

AG-5 Back-to-Back Primary

A multitude of panel variations can be created by combining two Inserts and one Back-to-Back Primary. Two lengths are available.



Back-to-Back Primary Variants

Length	Back-to-Back Primary	No. Infillers	Pack Size
1658	F020 2002 01	2	2
2658	F002 2002 02	3	2

Specification

Vertical Infiller	60 x 60mm
Top/Bottom Rails	\varnothing 60.3mm
Intermediate Rails	\varnothing 48.3mm

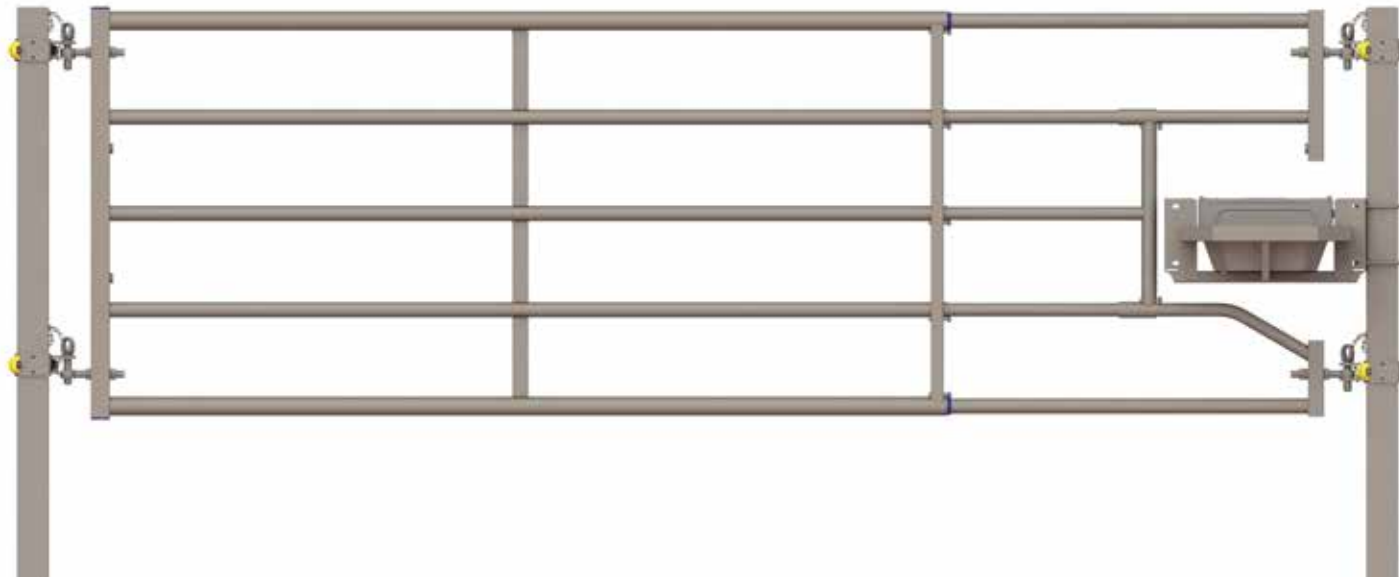
IMPORTANT:

Calculate the minimum or maximum length of your Double Sided panel using Emin or Emax dimensions for both Inserts, plus the Back-to-Back Primary length.

N.B. to achieve some minimum lengths, cutting of the insert rails may be required.

AG-5 Drinker Insert

In the event that a drinker, trough or water bowl is to be shared between pens, IAE offer a number of Drinker Inserts specifically designed to allow for this. Differing combinations of the four Drinker Inserts can be used to create a multitude of barrier end arrangements.



1

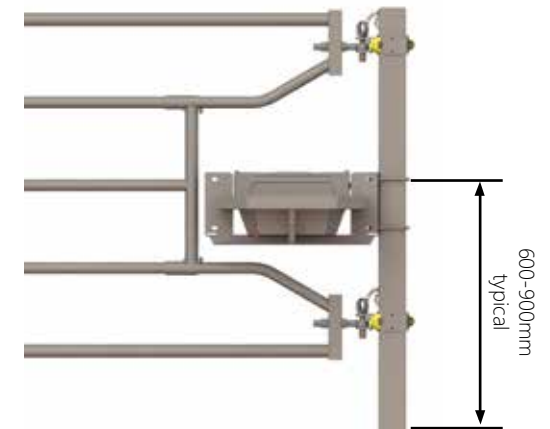


- 1 Arrangement uses F002 2008 04 Trough Extender, F002 2008 05 Bowl Extender and F002 2008 07 Bowl Restrictor are inserted into a Primary Panel to accommodate Universal Drinker and Universal Bracket on Post (see pgs 14 & 15).
- 2 Troughs, or low mounted drinker bowls can be accommodated and straddled by a panel. Here a F002 2008 04 Trough Extender and F002 2008 06 Trough Restrictor are used.
- 3 Double Bowl Restrictors (F002 2008 05) can be used where greater clearance or variation in height are required. Here a Bowl Restrictor (F002 2008 07) is also used, though this may not be required if the Primary Panel vertical is near enough to the bowl.

2



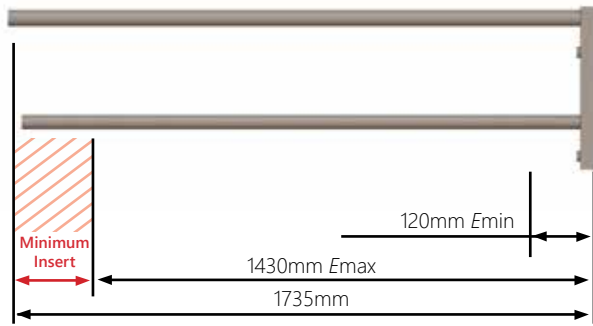
3



IMPORTANT:

These drinker insert combinations are not intended to be used as gate hang arrangements.

Trough Extender

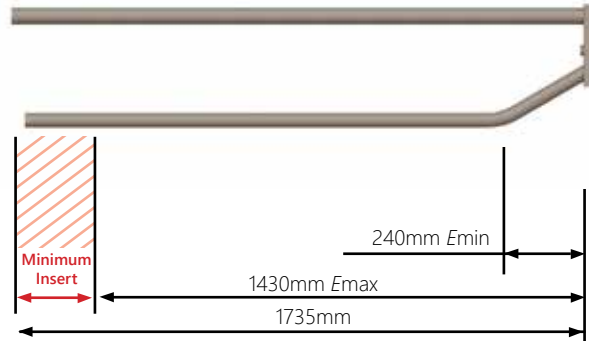


Trough Extender	Pack Size
F002 2008 04	2

Specification

Hang Stile	50 x 50mm
Top Rail	ø48.3mm
Intermediate Rail	ø42.4mm

Bowl Extender



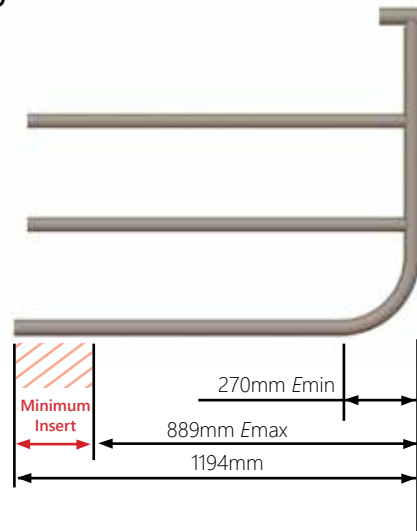
Bowl Extender	Pack Size
F002 2008 05	2

Specification

Hang Stile	50 x 50mm
Top Rail	ø48.3mm
Intermediate Rail	ø42.4mm



Trough Restrictor

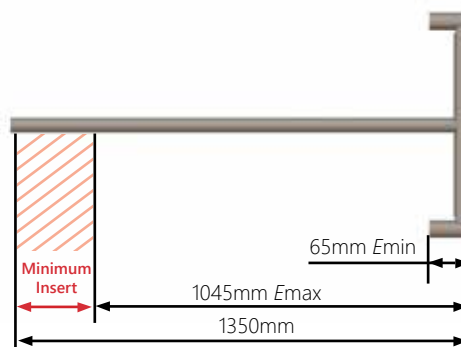


Trough Restrictor	Pack Size
F002 2008 06	2

Specification

Intermediate Rail	ø42.4mm
Vertical Rail	ø48.3mm

Bowl Restrictor



Bowl Restrictor	Pack Size
F002 2008 07	2

Specification

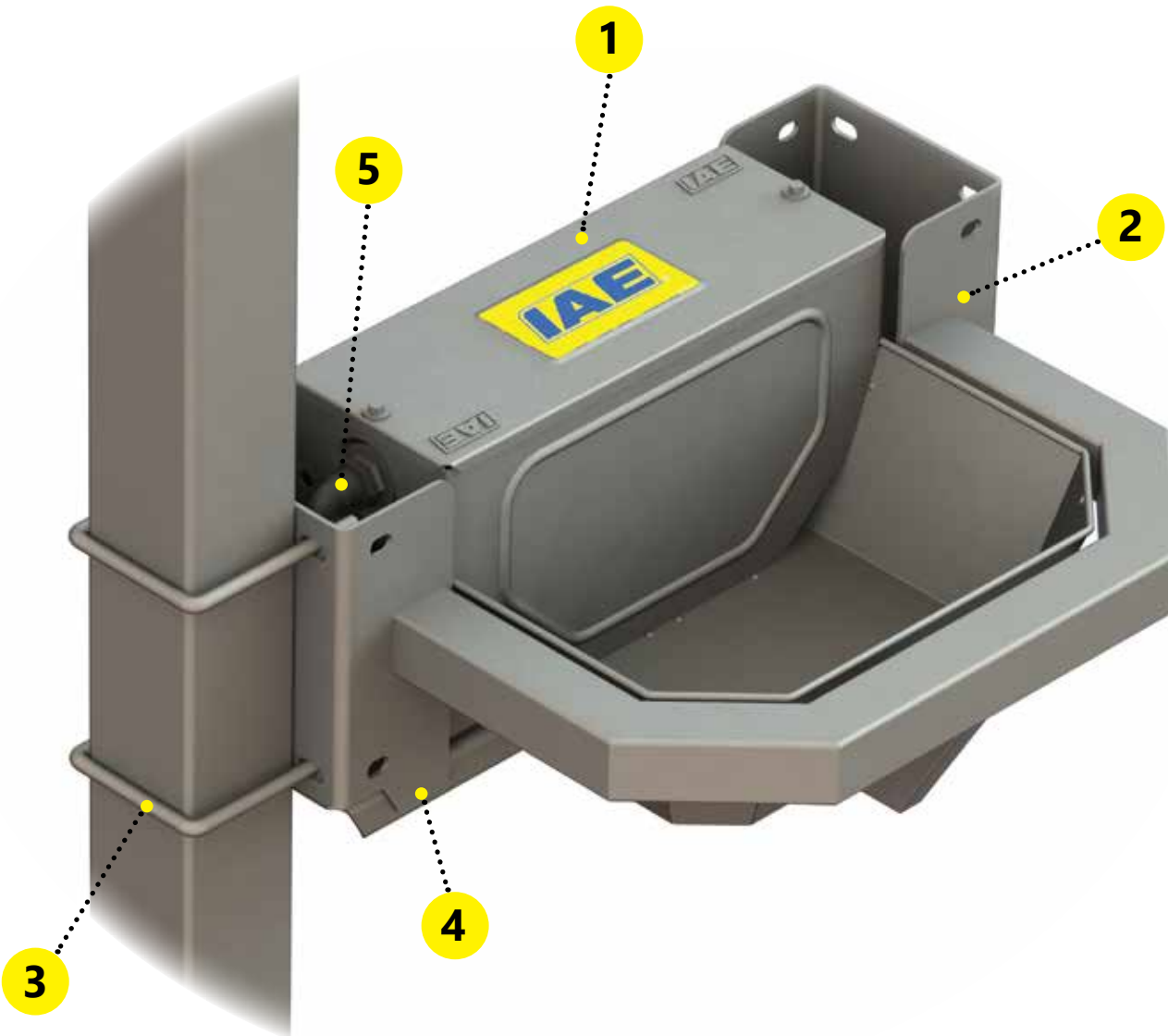
Intermediate Rail	ø42.4mm
Vertical Rail	ø48.3mm



Universal Drinkers

Universal Drinkers are ideal for use in pens holding small animals, in sick pens, or where installation of larger drinkers is not possible. Both single and double sided units can be used between pens in a shared arrangement (using AG-fit drinker insert ends - see pgs. 10 & 11). The limited potential for water spillage means that if required, locating these in the bedded area is not uncommon, or mounting outside of a feed panel/stanchion line is also possible.

The Universal Drinker can be used and mounted independently, however IAE now offer an off-the-shelf Universal Bracket to suit the Universal Drinker. The Universal Bracket is designed to protect your Universal Drinker from boisterous animals, whilst also offering a multitude of simple mounting options for the drinker. Post, RSJ, wall or base mounted, the Universal Bracket is highly flexible and easy to install.



- 1** Single sided Universal Drinker.
- 2** Single sided Universal Bracket 50 x 50 box section and 4mm formed steel construction.
- 3** Easy post mounting using square U Bolt kit* with no drilling required. Compatible with 100 x 100 and 120 x 120 square posts.
- 4** Base mounting compatible.**
- 5** Easy access for water supply and fittings.
- 6** Double sided Universal Drinker and double sided Universal Bracket.
- 7** Simple RSJ mounting using RSJ clamp fixing kit (Lindapter™ type)*. Max flange 102mm.

*Fitting kits sold separately. See pg 13.

**Fixings not supplied.

Universal Drinker - Single



Supplied with ball valve

Universal Drinker	Pack Size
1001030	2

Specification

Construction	1.5mm sheet
Dimensions	380W x 370L x 230H
Inlet	ø22/27mm
Capacity	10 ltrs

Universal Drinker - Double



Supplied with ball valve

Universal Drinker Double	Pack Size
F020 2020 04	2

Specification

Construction	1.5mm sheet
Dimensions	380W x 570L x 230H
Inlet	ø22/27mm
Capacity	22 ltrs

Universal Bracket - U Bolt Kit

Square U Bracket (pair) for mounting a Universal Bracket to a square post (100 x 110 or 120 x 120 available)



Size	Bracket U Bolt Kit	Pack Size
100 x 100	1001033	2
120 x 120	1001034	2

Universal Bracket - Single



Supplied with fitting to attach Universal Drinker. Wall/post/stanchion fittings not supplied.

Universal Bracket	Pack Size
1001031	2

Specification

Construction	3mm sheet
	SHS 50 x 50 x 3mm
Dimensions	640W x 490L x 267H

Universal Bracket - Double



Supplied with fitting to attach Universal Drinker. Wall/post/stanchion fittings not supplied.

Universal Bracket	Pack Size
1001032	2

Specification

Construction	3mm sheet
	SHS 50 x 50 x 3mm
Dimensions	640W x 800L x 267H



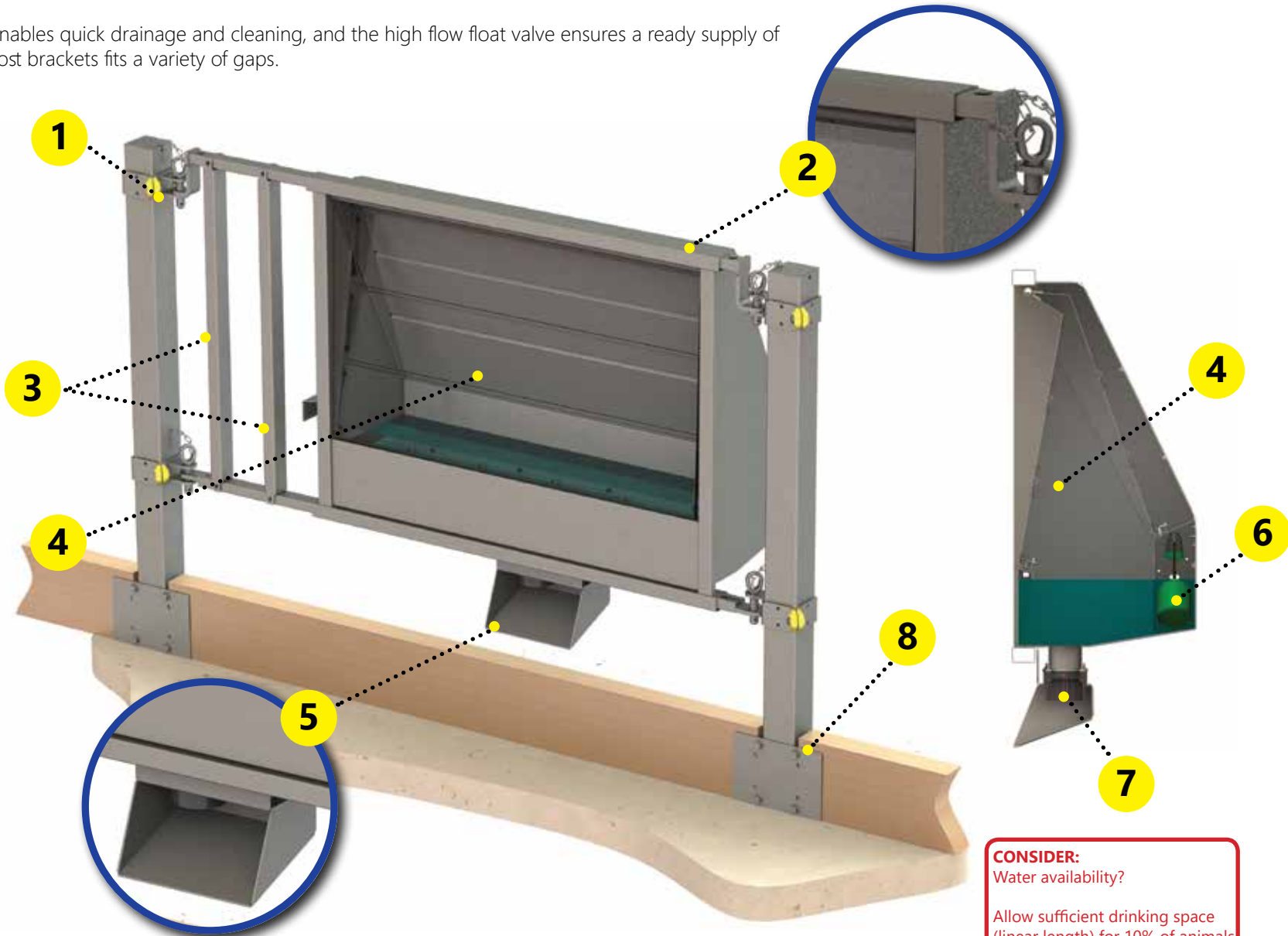
VisorDrink®

VisorDrink® is a new concept from IAE in drinkers for beef cattle. Featuring a super tough all-in-one trough and shroud design, the VisorDrink also features a built in visor to protect the drinking water from muck and straw.

Featuring a built in high flow float valve capable of handling a hinge pressure supply, the VisorDrink ensures a ready supply of drinking water for your herd. Available in 3 lengths, there's a VisorDrink to suit any building, pen and application. Water is easily accessed by nudging the tough but light hinged visor and the sturdy body prevents access from the bedded area with no additional shroud or cover required.

A large diameter quick empty valve enables quick drainage and cleaning, and the high flow float valve ensures a ready supply of fresh water. Telescopic mounting to post brackets fits a variety of gaps.

- 1 Drinker is post mounted, using AG-fit hang brackets (see pg 17) and telescopic bracket sets. See pg 15.
- 2 Telescopic mounting allows for a variety of post centre mountings, minimising the number of posts required in some instances.
- 3 Optional bolt on vertical infillers mitigate head traps where extended telescopic brackets are used.
- 4 Light but tough visor on the front of the drinker is easily nudged by animals to access water. Protects water supply from muck and straw.
- 5 Chute ensures emptied water exits into the scrape passage and not on the bedded area.
- 6 Designed to use the RXP high flow float valve, ensuring quick filling and a constant supply of drinking water and can accept high pressure supply.
- 7 Large diameter ø89mm quick empty valve allows swift and easy emptying and cleaning of the trough. The release handle is protected and obscured from curious animals.
- 8 Timber boards can be used to hold back bedding. Use bolt on brackets. See pg 17.



CONSIDER:
Water availability?
Allow sufficient drinking space (linear length) for 10% of animals in a building or pen, allow 600mm per animal.

VisorDrink® - 1955mm



VisorDrink 1955mm	Pack Size
----------------------	--------------

1001027	2
---------	---

Specification

Construction	Heavy Duty Welded Sheet
Dimensions	1955W x 1220H x 470D
Inlet	ø27mm
Outlet	ø89mm
Capacity	129 ltr
Post Clearance	Std: 2285-2335mm Ext: 2285-2800mm

VisorDrink® - 1345mm



VisorDrink 1345mm	Pack Size
----------------------	--------------

1001026	2
---------	---

Specification

Construction	Heavy Duty Welded Sheet
Dimensions	1345W x 1220H x 470D
Inlet	ø27mm
Outlet	ø89mm
Capacity	86 ltr
Post Clearance	Std: 1675-1725mm Ext: 1675-2190mm

VisorDrink® - 735mm



VisorDrink 732mm	Pack Size
---------------------	--------------

1001025	2
---------	---

Specification

Construction	Heavy Duty Welded Sheet
Dimensions	735W x 1220H x 470D
Inlet	ø27mm
Outlet	ø89mm
Capacity	43 ltr
Post Clearance	Std: 1065-1115mm Ext: 1065-1580mm



VisorDrink® - Telescopic Brackets

Bracket kit for mounting VisorDrink unit to post use standard hang brackets (see pg 17) to mount drinker in position. F002 2010 15



Telescopic Brackets	Pack Size
------------------------	--------------

1001028	2
---------	---

VisorDrink® - Extended Telescopic Brackets

Bracket kit for mounting VisorDrink unit to post use standard hang brackets (see pg 17) to mount drinker in position. F002 2010 15



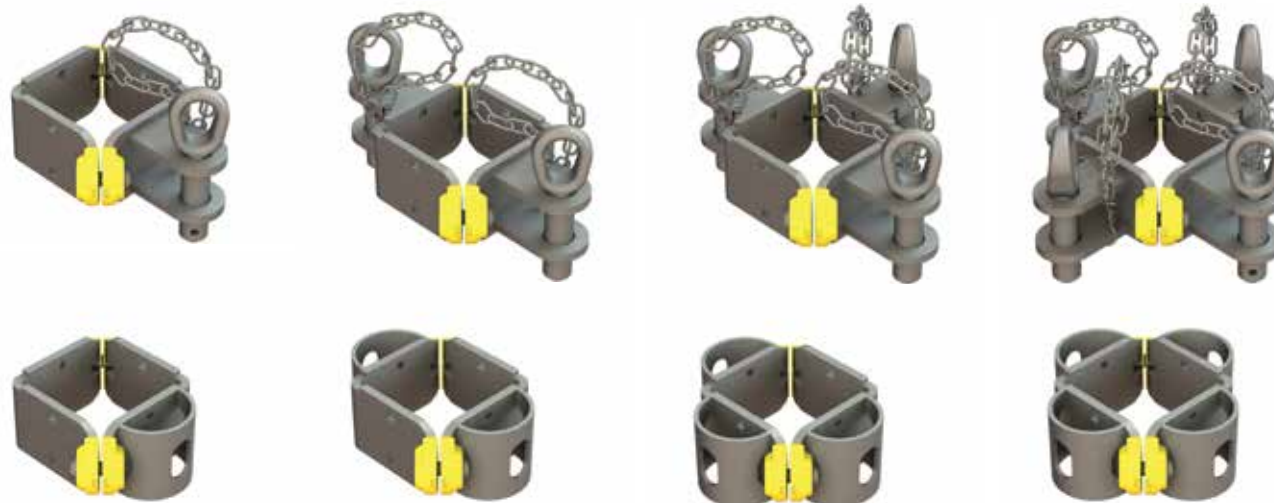
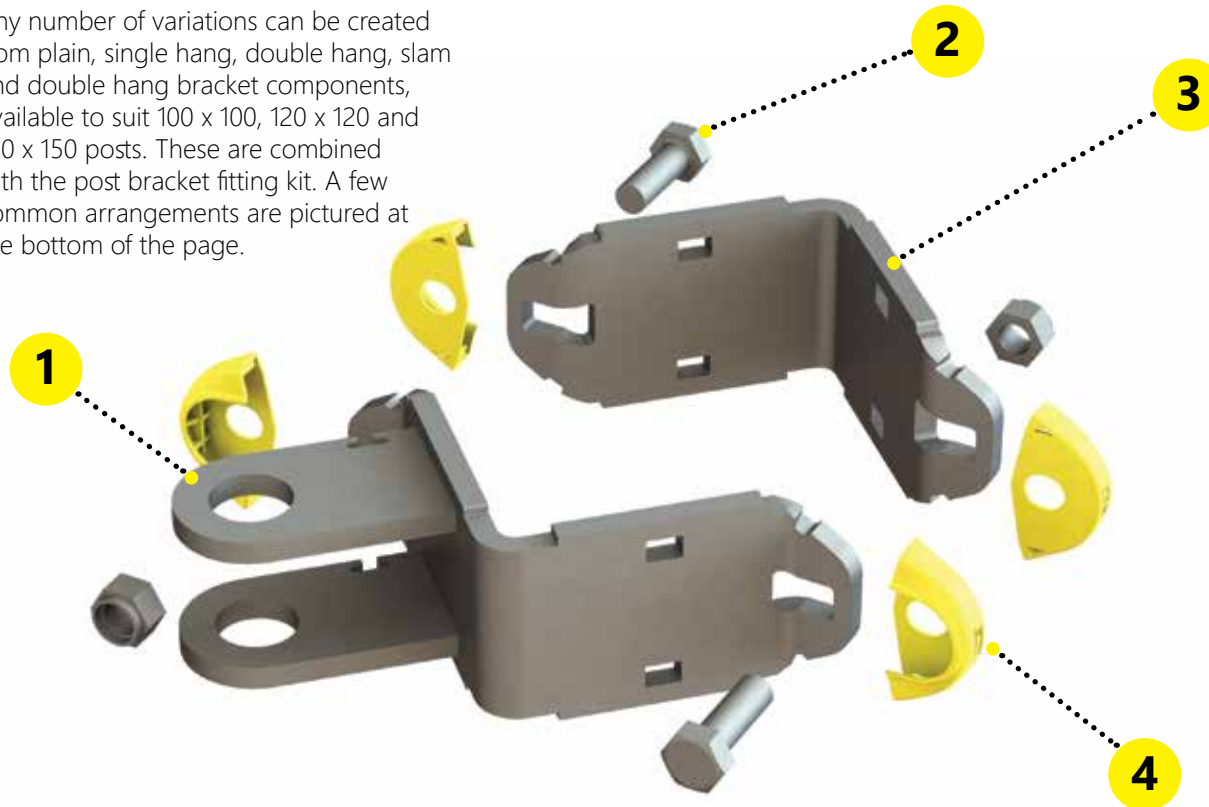
Extended Telescopic Brackets	Pack Size
------------------------------------	--------------

1001029	2
---------	---

Post Brackets

AG-fit uses a modular post and bracket system to create a multitude of hang and slam configurations from a modest number of bolt together components, meaning your ideal setup is just a spanner and ratchet away.

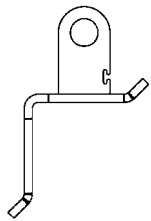
Any number of variations can be created from plain, single hang, double hang, slam and double hang bracket components, available to suit 100 x 100, 120 x 120 and 150 x 150 posts. These are combined with the post bracket fitting kit. A few common arrangements are pictured at the bottom of the page.



- 1** Post brackets consist of two major bracket components with heavy duty 8mm specification. Hang or Slam bracket options available (plus offset hang - see pg 17).
- 2** Separate bracket fittings kit* contains M12 fittings for secure clamping on the post.
- 3** Two part bracket allows for complete flexibility. Another hang or slam (when stepped) instance can be created (see left), or plain strap be used.
- 4** Durable clip on polymer protector caps cover bracket edges preventing bruising and cutting.

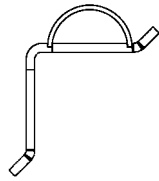
*Fitting kits sold separately. See pg 17.

Single Hang Bracket



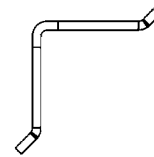
Size	Single Hang Bracket	Pack Size
100 x 100	F002 2010 15	8
120 x 120	F002 2010 27	8
150 x 150	F002 2010 39	8

Single Slam Bracket



Size	Single Slam Bracket	Pack Size
100 x 100	F002 2010 16	8
120 x 120	F002 2010 28	8
150 x 150	F002 2010 40	4

Plain Bracket



Size	Plain Bracket	Pack Size
100 x 100	F002 2010 17	8
120 x 120	F002 2010 29	8
150 x 150	F002 2010 41	8

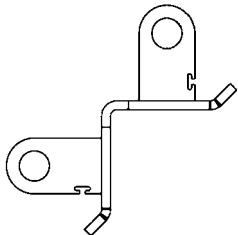
Post Bracket Fitting



Fixing kit to suit a single bracket instance.

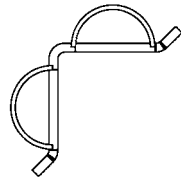
Code	Pack Sizes
F002 2010 13	8

Double Hang Bracket



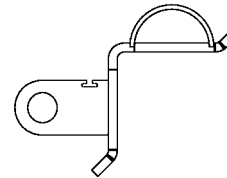
Size	Double Hang Bracket	Pack Size
100 x 100	F002 2010 18	8
120 x 120	F002 2010 30	8
150 x 150	F002 2010 42	4

Double Slam Bracket



Size	Double Slam Bracket	Pack Size
100 x 100	F002 2010 19	8
120 x 120	F002 2010 31	4
150 x 150	F002 2010 43	4

Hang Slam Bracket



Size	Single Hang Bracket	Pack Size
100 x 100	1000185	4
120 x 120	1000187	4
150 x 150	1000189	4

Hang Pin Kit



Pair of Hang Pins and retaining chains to hang gates and panels from hang brackets.

Code	Pack Sizes
F002 2010 14	8

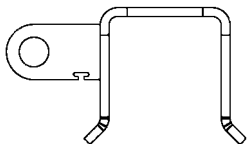
Timber Board Post Bracket

Timber Boards holding back bedding are retained using these brackets (100 x 100 and 120 x 120 post). Fittings included.



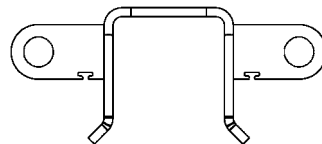
Code	Pack Sizes
1001087	8

Single Offset Hang Bracket



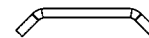
Size	Single Offset Hang Bracket	Pack Size
100 x 100	F002 2010 18	8

Double Offset Hang Bracket

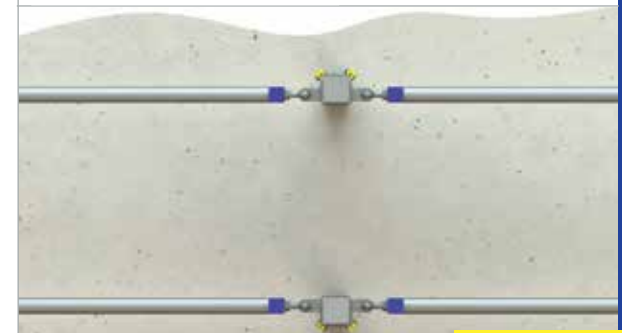


Size	Double Offset Hang Bracket	Pack Size
100 x 100	F002 2010 19	8

Offset Hang Bracket Backplate



Size	Offset Hang Bracket Backplate	Pack Size
100 x 100	1000185	4

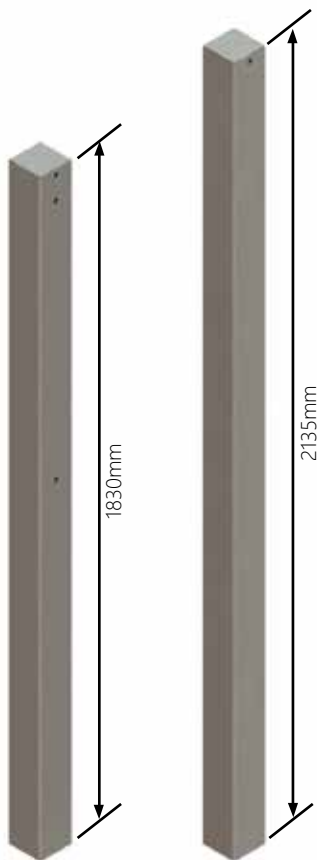


TIP:
Use the Offset Hang Brackets to create a race with smooth internal faces.

Posts

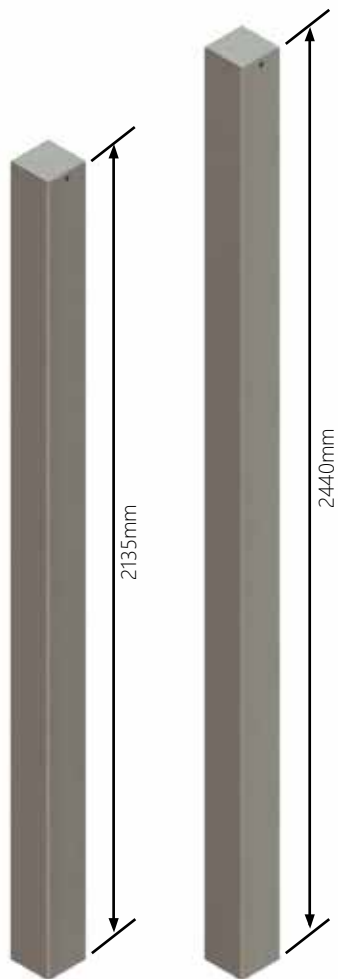
AG-fit posts are available in a variety of sizes to suit different slam, hang arrangements and heights. See pg 19 for table where AG-fit posts are best applied.

100 x 100



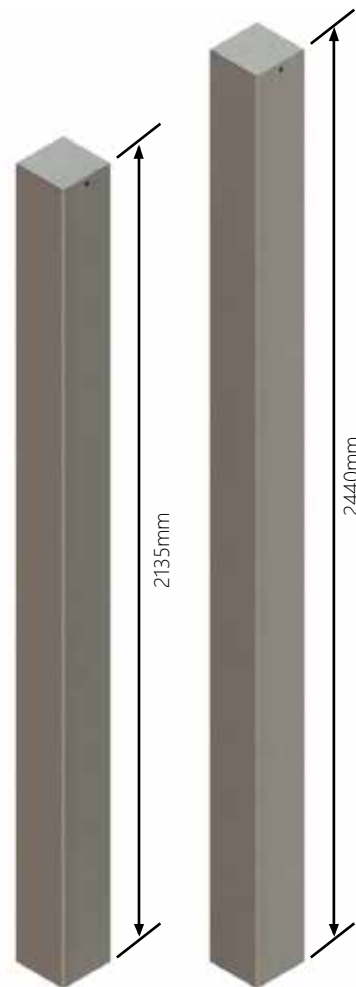
Size	100 x 100	Pack Size
1830	F030 2012 13	8
2135	F002 2009 01	8

120 x 120



Size	120 x 120	Pack Size
2135	F002 2009 03	8
2440	1000197	2

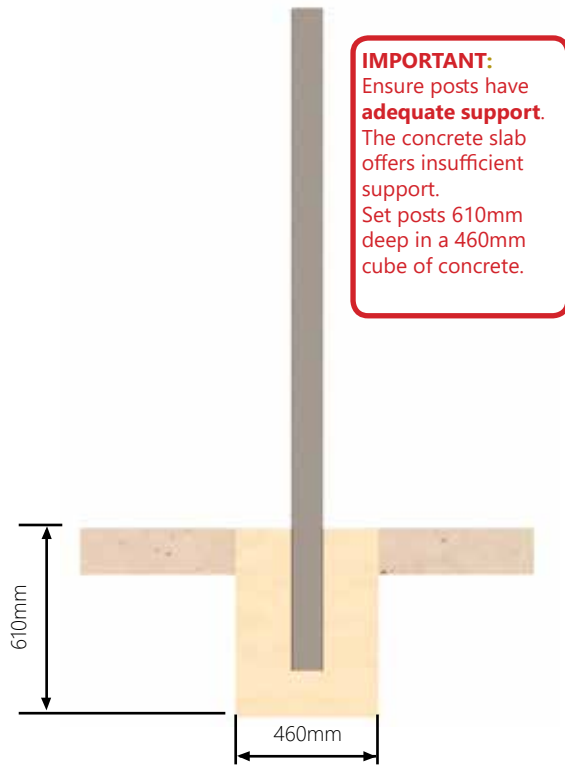
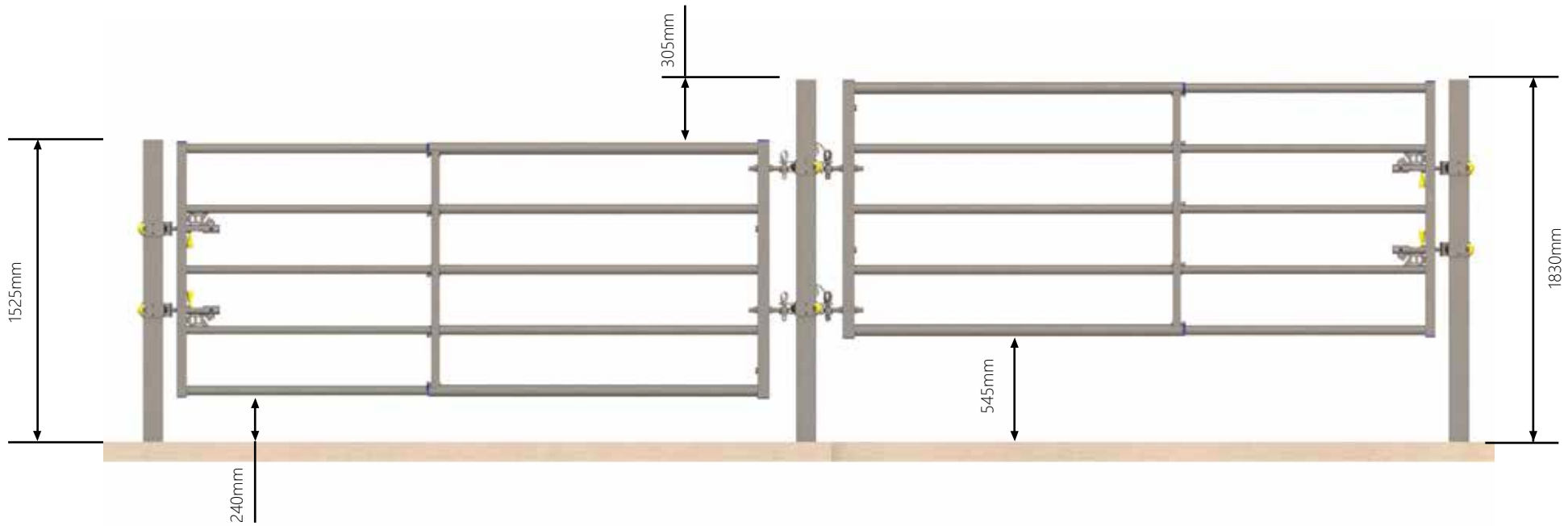
150 x 150



Size	150 x 150	Pack Size
2135	F002 2009 05	2
2440	1000193	2



Post Installation



IMPORTANT:
Ensure posts have adequate support. The concrete slab offers insufficient support. Set posts 610mm deep in a 460mm cube of concrete.

Post Type	Gate/Panel Length					
	1M	2M	3M	4M	5M	6M
Slam	100 x 100	100 x 100	100 x 100	100 x 100	100 x 100	100 x 100
Single Hang Incline	100 x 100	100 x 100	100 x 100	100 x 100	120 x 120	120 x 120
Double Hang 90 deg	100 x 100	100 x 100	100 x 100	120 x 120	120 x 120	150 x 150
Double Hang Incline	100 x 100	100 x 100	100 x 100	120 x 120	150 x 150	150 x 150
Triple Hang	100 x 100	120 x 120	150 x 150	150 x 150	150 x 150	150 x 150
Quad Hang	100 x 100	120 x 120	150 x 150	150 x 150	150 x 150	150 x 150

Gates and barriers are designed to hang at 1525mm as standard. Use a 2135mm post to hang and slam, which is typically set 610mm into the concrete slab.

Where a 305mm rise is required (created by either flipping the gate or panel, or by employing additional sets of brackets) a 2400mm post is used to ensure head-traps are not created between the raised panels or gates.

100 x 100 1830mm posts are used for supporting feed fence panels (see pg 21) and slam instances where the gate crosses the scrape passage.

Fittings



- | | | | | |
|--|--|---|--|--|
| 1. Hinge hooks on square drilled plates
ø25mm - F016 0311 25 | 5. Extended bolt on hang bracket
ø25mm - 1001035 | 9. Hold back chain assembly
- F016 2003 03 | 13. Hang telescopic bracket kit t/s
feed fence (80 x 40)
- 1001036 | 16. Ground socket and lid assembly
100 x 100 - F017 2073 11
120 x 120 - F017 2074 11
150 x 150 - F017 2075 11 |
| 2. Hinged hooks on vertical drilled plates
ø25mm - F016 0310 25 | 6. Bolt on hang bracket
ø25mm- F002 2010 12 | 10. 25mm Bolt on drop bolt
- F016 2001 02 | 14. Hang telescopic bracket kit t/s
feed fence (60 x 40)
- 1001037 | 17. Bolt on channel t/s timber
- 1001039 |
| 3. Hinge hooks L/hand drilled angle
ø25mm - F016 0317 25 | 7. Slotted plate bolt receiver
- F016 2003 02 | 11. Sliding type gate frame
- F016 2001 03 | 15. Hang telescopic bracket kit t/s
yoke panel
- 1001038 | 18. Clamp on gate spring bolt retainer
- 1000867 |
| 4. Hinge hooks R/hand drilled angle
ø25mm - F016 0315 25 | 8. Loop bolt receiver on drilled plate
- F016 2003 01 | 12. 25mm hinge hooks on full
length drilled plated
- F016 0012 25 | | |

Feed Fence and Yoke Panels

IAE's existing range of feed fence panels and self locking yoke panels compliment the AG-fit range perfectly, bolting directly to the 100 x 100 1830mm post (pg 18) or using post hang brackets and telescopic brackets (pg 20) from any other post.

Diagonal Feed Fence - 915mm high - no base



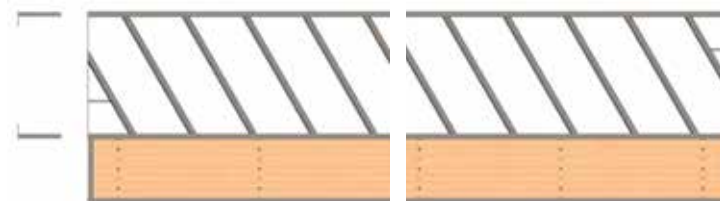
Code	Length	Flat Brackets	Angle Brackets	Flat Plate
F030 2010 01	2968 ¹			✓
F030 2010 06	4420 ²	✓		
F030 2010 04	4420 ²		✓	
F030 2010 12	4482 ³			✓
F030 2010 17	5850 ⁴	✓		
F030 2010 18	5850 ⁴		✓	

Flat Bracket

Angle Bracket



Diagonal Feed Fence - 1370mm high - timber base



Code	Length	Flat Brackets	Angle Brackets	Flat Plate
F030 2010 07	4420 ²	✓		
F030 2010 05	4420 ²		✓	
F030 2010 09	4482 ³			✓
F030 2010 15	5850 ⁴	✓		
F030 2010 16	5850 ⁴		✓	

Adjustable brackets enable panels to fix between or on the face of various stanchions & posts.

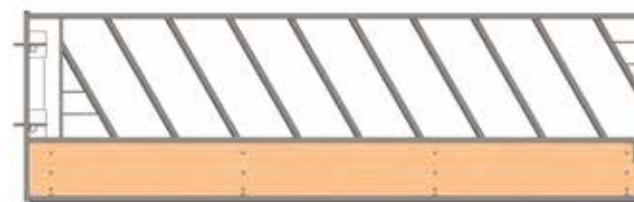
Flat Bracket



Angle Bracket



Diagonal Feed Fence Gate Unit - 1335mm high - timber base



- Single acting gate units with timber base complete with two built in keyhole sliding bolts for added safety.
- Units have 25mm sleeved hinge eyes.
- 1335mm high comes with 410mm timber base.
- Various fittings available depending on application.

Code	Length
F030 2010 11	4450 ² Single acting

1. Creates 3050mm centres with 80 x 80 posts.

2. To suit nominal 4570mm bays.

3. Creates nominal 4570 centres when used with 90 x 90 posts.

4. To suit nominal 6000/6100mm bays (may not be suitable in all situations please call the sales office for further information).

Yokemaster Self Locking Yoke Panels



Yokemaster panels c/w 2 angle and flat brackets (inclined installation)

Code	Length	Yoke Panels	Centres
F030 2251 46	4420	7	4560
F030 2251 48	5850	10	6000

Yokemaster panels c/w 4 flat brackets (installation on RSJ/Post)

Code	Length	Yoke Panels	Centres
F030 2251 26	4420	7	4560
F030 2251 28	5850	10	6000

Yokemaster panels c/w 4 angle brackets (installation on RSJ/Post face)

Code	Length	Yoke Panels	Centres
F030 2251 36	4420	7	4560
F030 2251 38	5850	10	6000

Code Product Information

F030 2250 08	Yokemaster operating handle
F030 2250 09	Yokemaster operating rod joiner kit

Code Product Information

F030 2012 28	100 x 100 SHS support post assembly
--------------	-------------------------------------



T : 03330 050115
E: sales@mcveighparker.co.uk

For more info visit
mcveighparker.com/ag-fit-solutions